

WISeNET

ROADWAY ANPR SOLUTION

Outstanding Accuracy

WISeNET

Hanwha Techwin Europe
Heriot House, Heriot Road, Chertsey, Surrey, KT16 9DT, United Kingdom
Tel: +44.1932.57.8100 Fax: +44.1932.57.8101
www.hanwha-security.eu

© 2017 Hanwha Techwin Co., Ltd. All rights reserved.

DESIGN AND SPECIFICATIONS ARE SUBJECT TO CHANGE WITHOUT NOTICE
Under no circumstances, this document shall be reproduced, distributed or changed,
partially or wholly, without formal authorization of Hanwha Techwin Co., Ltd.



security.eu



Video surveillance specialists Hanwha Techwin and analytics experts FF Group have combined to offer a suite of ANPR solutions ranging from car park access control for business applications, through to large scale city wide based systems, which enable local authorities and police to keep people safe, as well as detect illegally parked vehicles and other traffic infringements.



- Outstanding recognition accuracy**
 More than 95% recognition accuracy in any environment or condition.
- High vehicle speed**
 Guaranteed for vehicles at a maximum speed of 80 kmph.
- All European countries**
 Reliably detects number plates from all European countries.
- Easy setup**
 Simple, clear and user-friendly installation, setup and adjusting.
- Black and White list support**
 User can define up to 2000 number plates in black and white list.

Recording events with Wisenet Roadway ANPR cameras and server software

The Roadway ANPR server software developed by the FF Group, which provides a highly accurate licence plate recognition solution effective with all European number plate formats, has been integrated with two high definition Wisenet cameras: SNO-6095RH/FNP and XNO-6120R/FNP. The application uses license plate recognition software to allow the user to monitor traffic, prevent crime and record its results.

It can manage up to 16 video channels at a time and record events including:

- entry/exit logs
- Black/White list management
- alerts
- duration
- motion/direction detection

The SNO-6095RH/FNP, which has a varifocal lens, is suitable for long range ANPR applications, whilst the compact XNO-6120R/FNP bullet camera is targeted at medium range projects. The feature set of the 2 megapixel cameras makes them the ideal choice for the demanding environments in which they may have to operate. Both have built-in IR illumination to enable vehicle license plates to be read in total darkness. Other key features include Defog and WDR to ensure clear, sharp images can be captured in locations where there may be strong contrasting lighting conditions.

An SD/SDHC/SDXC memory slot ensures images of any activity are automatically recorded in the event of network disruption.

SNO-6095RH/FNP

2M Network IR LPR Camera

Specifications

- Max. 2megapixel (1920 x 1080) resolution
- 0.015Lux@F1.2 (Colour), 0Lux@F1.2 (B/W: IR LED on)
- 8 ~ 50mm (6.3x) varifocal lens
- H.264, MJPEG dual codec, Multiple streaming
- WDR (120dB), Defog
- Audio / Face / Motion detection
- SD/SDHC/SDXC memory slot
- License plate capture: 20m (Max. 120km/h)
- IR viewable length 100m, IP66

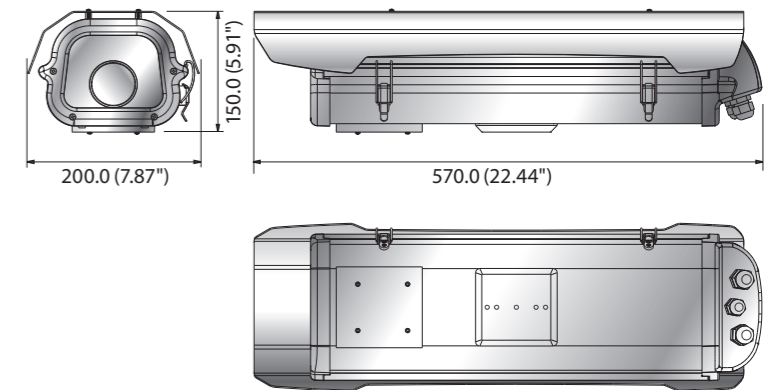
SNO-6095RH/FNP	
IR LED Viewable Length	1) 20m (Licence plate capture, Max. 120km/h) 2) 100m (Normal use)
Operating Temperature / Humidity	-20°C ~ +50°C / Less than 90% RH



STB-400 (needs to be purchased separately)

Dimensions

Unit : mm (inch)



XNO-6120R/FNP

2M Network IR Bullet Camera

Specifications

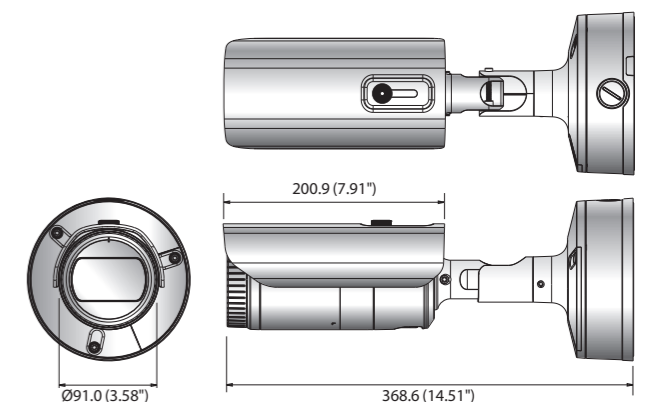
- Max. 2Megapixel (1920 x 1080) resolution
- 5.2 ~ 62.4mm (Optical 12X) Optical Lens
- Max. 60fps@all resolutions (H.265 / H.264)
- H.265, H.264, MJPEG Codec Supported, Multiple streaming
- Day & Night (ICR), WDR (150dB), Defog
- Loitering, Directional detection, Fog Detection, Audio detection, Sound Classification, Tampering
- Motion Detection, Handover
- SD / SDHC / SDXC 2 Slot (Max. 512GB)
- Hallway View, WiseStreamII Support
- IR Viewable Length 70m (229.66ft), IP67 / IP66, NEMA 4X, IK10
- LDC Support (Lens Distortion Correction)
- PoE , 24V AC, 12V DC, Bi-directional audio Support

XNO-6120R/FNP	
IR LED Viewable Length	1) 20m (Licence plate capture) 2) Max. 50km/h
Operating Temperature / Humidity	-20°C ~ +50°C / Less than 90% RH



Dimensions

Unit : mm (inch)



Monitoring and reporting with Cloud ANPR Solutions

Wisenet Roadway ANPR cloud solutions are able to make a valuable contribution to roadway and car park management efficiency.

- Petrol Stations:** With the ability to define up to 2000 number plates in a 'black and white' list, the Wisenet Roadway ANPR cameras which can be put to work straight out of the box, are able to assist with the identification of banned number plates to reduce the incidents of non-payment of fuel. Recorded images captured by the cameras can be easily retrieved to pass onto the police as evidence.
- Logistics Centres:** Wisenet Roadway ANPR camera solutions allow security personnel to have strict control over which vehicles have access to site's sensitive areas, such as loading bays.
- Local authorities and police:** With Wisenet Roadway ANPR cameras located at key city centre intersections and main roads, local authorities and police can be provided with the licence plate numbers of vehicles involved in traffic lane or parking infringements and have access to real-time traffic flow data, such as the average speed and the number of vehicles on the roads. More in-depth analysis for longer term planning comes from data that is recorded on everyday drivers who travel into specific areas.



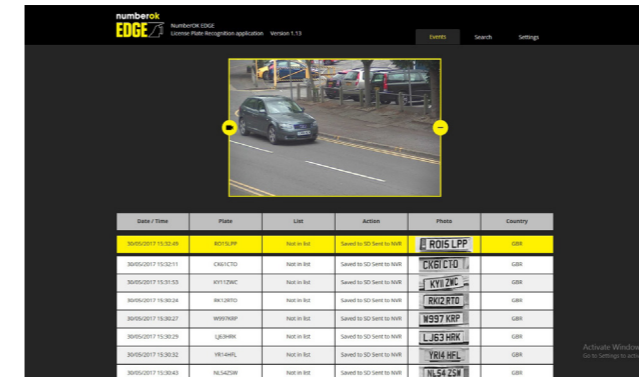
Limbio - Cloud based analytics & reporting

The capabilities of Wisenet Roadway ANPR solutions are enhanced by cloud based Limbio analytics which provides operators with accurate real-time data captured by Wisenet cameras. Hosted by Microsoft's highly secure and reliable Azure cloud service, Limbio is able to generate easy to understand reports via customised dashboards deployed in three different packages - Plate Recognition, Parking and Safe City. Advanced reporting features include traffic density, traffic speed and average travel time. In addition, it is possible to request tailor-made dashboards and additional features in order to obtain better business insights.

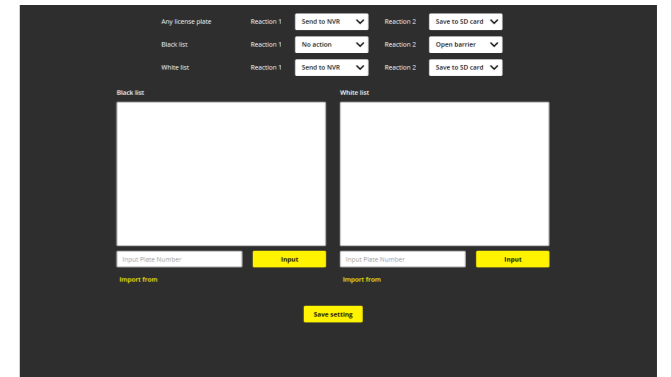
Roadway reporting

Reports include a photo of a number plate and automatic transcribed data.

Live ANPR reporting



Separate black and white list reports



Car Park reporting

Other reports include car park occupancy and the number of free spaces, as well as a vehicle's duration of stay and frequency of visits. It can even synchronise data between a number of different sites.

Clients

Frequent visitors estimation



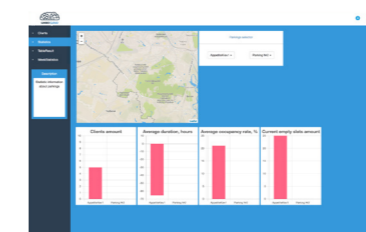
Weekly Statistics

- Visitors count
- Length of stay
- Empty slots count
- Occupancy



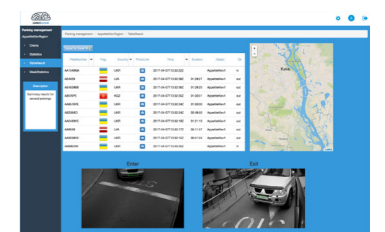
Statistics

Per parking site



Event Register

- Number plates
- Photos at entry/exit



Integration with Wisenet SSM

Wisenet SSM is a one-stop management software solution which maximises the efficiency of Wisenet network cameras and provides the option to perfectly integrate them with third party systems such as intruder alarms and access control.

Wisenet Smart Security Manager's modular architecture empowers operators to configure, manage and monitor large numbers of cameras. It is equipped with a powerful search engine and offers a wide range of options.

SSM - clear and simple reports for events

