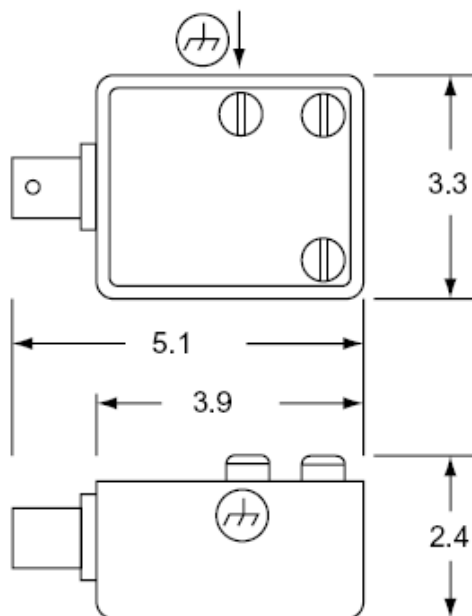


NITEK®

VB37F
VB37M
VB39M

VB37F with Female BNC; **VB37M** with Male BNC
Video Balun Transceivers for Twisted Pair up to 350 meters
VB39F with Female BNC; **VB39M** with Male BNC
Video Balun Transceivers with Surge Protection for Twisted Pair up to 350 meters



*Earth Ground omitted on VB37

Description

Video Balun Transceivers for twisted pair up to 350 meters. Two types are available. The basic VB37 model and the VB39 with built-in surge arresting for added equipment protection.

Video Balun Transceiver is a video transmission device that provides a low cost means of sending live video over unshielded twisted pair, point-to-point wiring for distances of up to 350 m (300 m when used with DVR equipment). The VB37 and VB39 are compatible with all of the "up-the-coax" control systems. A basic system uses (2) VB37 or (2) VB39 units, one at each end of a twisted pair of wires. These units are intended for use over existing in house telephone wiring, category 5 wiring or other twisted pair cable runs to provide a convenient, cost-effective alternative to coax. The VB37 and VB39 are designed to provide superior immunity from noise and interference even when running next to line power!

Features

- Quality video over ordinary twisted pair cable
- Immunity to noise and interference
- Built-in surge protection on VB39 models
- Passive devices - do not require power
- Video & P/T/Z over a single pair (with "up-the-coax" systems)
- M - version mounts directly to camera or video source
- Weather resistant design
- Easier to install than coax

Applications

- Intra-building CCTV installations (instead of coaxial cable)
- Structured cabling (CAT5) environments
- To eliminate requirement for Plenum Coax
- Multi-camera applications through conduit (more cameras through a smaller diameter)

Transceiver Unit

Size	3.3H x 5.1W x 2.4cmD
Power Requirements	NONE REQUIRED
Input	1 vpp composite video Monochrome or Color
Output	Balanced low voltage current loop

System (2 transceivers required)

Video Format	RS170, NTSC, PAL, SECAM, CCIR (Color or B/W)
Video Input	1 Vpp composite video Monochrome or Color
Operating Frequency	DC to 10 MHz
Common Mode Rejection	>60 dB typ.
Wire Size	12 to 26 AWG Unshielded Twisted Pair
UTP Category	Unshielded Category 2 or better
Temperature Range	-40 degrees C to +85 degrees C
Humidity Range	0 to 98%, non-condensing
Transient Immunity	6,000 V 1.2uS x 50 uS per ANSI / IEE 587 C62.41 B3 3,000 A 8uS x 20 uS when ground screw terminal is connected to earth-ground
Enclosure Material	Black ABS Flame Retardant Plastic
Twisted Pair Connection	Screw Terminals

Ordering Information

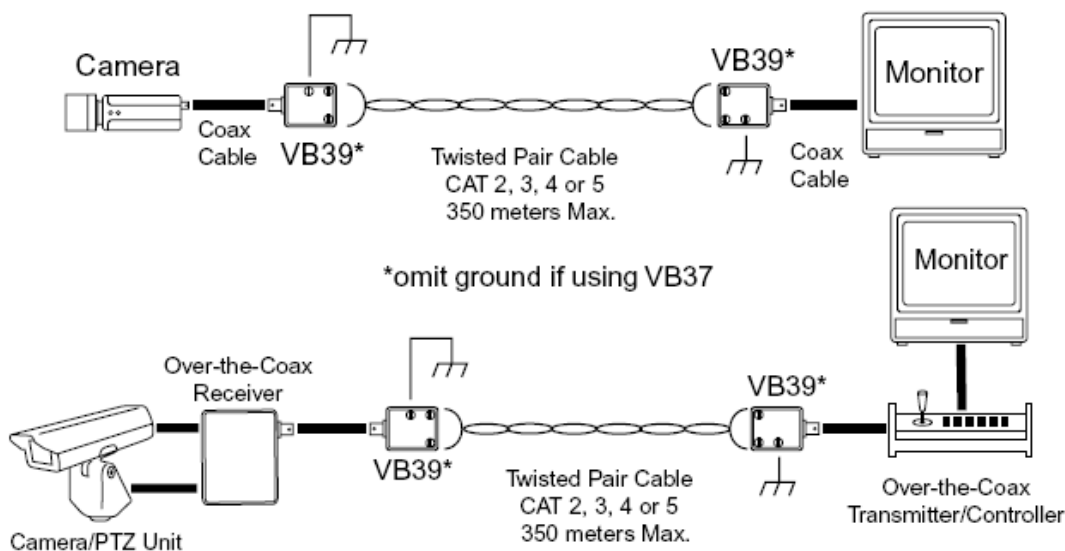
PART	DESCRIPTION
VB37F Female BNC Connector	for up to 350 meters
VB37M Male BNC Connector	for up to 350 meters
VB39F Female BNC w/Surge Protection	for up to 350 meters
VB39M Male BNC w/Surge Protection	for up to 350 meters

SYSTEM COMPONENTS

Two VB37 or VB39 devices M or F in any combination are required for transmission over a single UTP.

Wire and Cable Recommendations

The VB37 and VB39 are recommended for use with **unshielded twisted pair** (UTP) wiring. The systems will operate over wire gauges from 26AWG through 12AWG. Category 2, 3, 4 or 5 cable may be used. Individually shielded pairs should be avoided, as they drastically reduce the operating range of the systems. Multi-pair cable with an overall shield is acceptable. Video can be operated in the same communication cable coexistent with telephone, computer, control signals, power voltages and other video signals. While video may be routed through telephone punch down block terminals, any bridge-taps, also called T-taps and any resistive, capacitive or inductive devices **MUST BE** removed from the pair. For more specific information regarding wire types, gauges and proper installation techniques, please call +31(0)320 - 230005 for technical assistance. More information is also available on the CCTV System Design Guide Sheet.



Videor E. Hartig GmbH
 Carl-Zeiss-Straße 8 · 63322 Rödermark, Germany
 Tel. +49 (0) 60 74 / 888-0 · Fax +49 (0) 60 74 / 888-100

www.videor.com

Technical changes reserved.

04/2007