



Network

XNV-6123R

2MP AI IR Vandal Dome Camera

FC |  | CE | EAC

Key Features

- Maximum 2MP resolution
- 0.03Lux@F1.6 (Color), 0Lux (B/W, IR LED on)
- Day & Night (ICR), WDR (150dB)
- Hallway View, WiseNR II (Based on AI engine), WiseStreamIII (Based on AI engine) Support
- Analytics events based on AI engine (NPU) : Object detection (Person/Face/Vehicle - car, truck, bus, bicycle, motorcycle/License plate)
- Analytics events : Defocus detection, Motion detection, Tampering, Fog detection
Audio detection, Sound classification, Shock detection, Appear/Disappear
- PoE, 12VDC
- IP66/IP67/IP6K9K, NEMA4X, IK10+



XNV-6123R

2MP AI IR Vandal Dome Camera

Specifications

Video

Imaging Device	1/2.8" CMOS
Resolution	1920x1080, 1600x1200, 1280x1024, 1280x960, 1280x720, 1024x768, 800x600, 800x448, 720x576, 720x480, 640x480, 640x360, 320x240
Max. Framerate	H.265/H.264: Max. 120fps/100fps(60Hz/50Hz)(WDR off) Max. 60fps/50fps(60Hz/50Hz)(WDR on) MJPEG: Max. 30fps/25fps(60Hz/50Hz)
Min. Illumination	Color: 0.03Lux(F1.6, 1/30sec, 30IRE) B/W : 0.003Lux(F1.6, 1/30sec, 30IRE), 0Lux(IR LED on), 30/25fps Color: 0.06Lux(F1.6, 1/60sec, 30IRE) B/W : 0.006Lux(F1.6, 1/60sec, 30IRE), 0Lux(IR LED on), 60/50fps Color: 0.12Lux(F1.6, 1/120sec, 30IRE) B/W : 0.012Lux(F1.6, 1/120sec, 30IRE), 0Lux(IR LED on), 120/100fps
Video Out	CVBS : 1.0 Vp-p / 75Ω composite, 720x480(N), 720x576(P), for installation USB : Micro USB type B, 1280x720 for installation

Lens

Focal Length (Zoom Ratio)	5.2~62.4mm(12x) zoom (digital 32x, total 384x zoom)
Max. Aperture Ratio	F1.6(Wide) - F3.0(Tele)
Angular Field of View	H: 54.58(Wide)~5.30(Tele) V: 32.19(Wide)~3.00(Tele)
Min. Object Distance	2.1m(6.89ft)
Focus Control	Oneshot AF, Focus save
Lens Type	DC auto iris

Pan / Tilt / Rotate

Pan / Tilt / Rotate Range	0°~360° / -45°~80° / 0°~355°
Sequence	Preset(300ea)

Operational

Camera Title	Displayed up to 85 characters
Day & Night	Auto(ICR)/Color/BW/Schedule
Backlight Compensation	BLC, HLC, WDR, SDR
Wide Dynamic Range	extremeWDR(150dB)
Digital Noise Reduction	WiseNR II (Based on AI engine), SSNR V
Digital Image Stabilization	Support(built-in gyro sensor)
Defog	Support
Motion Detection	8ea, 8point Polygonal zones
Privacy Masking	32ea, 4point Quadrangle zones - Color : Gray, Green, Red, Blue, Black, White - Mosaic
Gain Control	Support
White Balance	ATW / Narrow ATW / AWC / Manual / Indoor / Outdoor
LDC	Support (Fill/stretch mode)
Electronic Shutter Speed	Minimum / Maximum / Anti flicker (2~1/12,000sec) prefer shutter control(Based on AI engine)
Video Rotation	Flip, Mirror, Hallway view(90°/270°)

Analytics	Classified object type : Person/Face/Vehicle/License plate Attributes : Vehicle(Type:car/bus/truck/motorcycle/bicycle) Support DetectionShot Analytics events based on AI engine - Object detection, Virtual line(Crossing/Direction), Virtual area(Loitering/Intrusion/Enter/Exit) Analytics events - Defocus detection, Motion detection, Tampering, Fog detection, Audio detection, Sound classification, Shock detection, Virtual area(Appear/Disappear)
Alarm I/O	2 configurable I/O ports, DC 12V output(Max. 50mA)
Alarm Triggers	Analytics, Network disconnect, Alarm input, App event, Time schedule
Alarm Events	When alarm trigger occurred - File upload(image) : e-mail/FTP - Notification : e-mail - Recording : SD/SDHC/SDXC or NAS recording at event triggers - Alarm output - Handover(PTZ preset, Send message by HTTP/HTTPS/TCP) - Audio clip playback
Audio In	Selectable(mic in/line in) Supply voltage: 2.5VDC(4mA), Input impedance: 2K Ohm
Audio Out	Line out, Max.output level: 1Vrms
IR Viewable Length	WiseIR 90m(295.28ft)

Network

Ethernet	Metal shielded RJ-45(10/100/1000BASE-T)
Video Compression	H.265/H.264: Main/High, MJPEG
Audio Compression	G.711 u-law /G.726 Selectable G.726(ADPCM) 8KHz, G.711 8KHz G.726: 16Kbps, 24Kbps, 32Kbps, 40Kbps AAC-LC: 48Kbps at 16KHz
Smart Codec	Manual(Sea area), WiseStream II , WiseStreamIII(Based on AI engine)
Bitrate Control	H.264/H.265: CBR or VBR MJPEG: VBR
Streaming	Unicast(20 users) / Multicast Multiple streaming(Up to 10 profiles)
Protocol	IPv4, IPv6, TCP/IP, UDP/IP, RTP(UDP), RTP(TCP), RTCP,RTSP, NTP, HTTP, HTTPS, SSL/TLS, DHCP, FTP, SMTP, ICMP, IGMP, SNMPv1/v2c/v3(MIB-2), ARP, DNS, DDNS, QoS, UPnP, Bonjour, LLDP, SRTP (TCP, UDP Unicast)
Security	TPM 2.0 (FIPS 140-2 level 2) HTTPS(SSL) Login Authentication Digest Login Authentication IP Address Filtering User access log 802.1X Authentication(EAP-TLS, EAP-LEAP, EAP-PEAP MSCHAPV2) Device Certificate(Hanwha Techwin Root CA, pre-installed) Secure by default certificate Secure OS/Boot/Storage, Verify firmware forgery
Application Programming Interface	ONVIF Profile S/G/T/M SUNAPI(HTTP API) Wisenet open platform

General

Webpage Language	English, Korean, Chinese, French, Italian, Spanish, German, Japanese, Russian, Swedish,, Portuguese, Czech, Polish, Turkish, Dutch, Greek, Hungarian
Edge Storage	Micro SD/SDHC/SDXC 2slot Max. 1TB (512GB * 2)
Memory	2GB RAM, 512MB Flash

Environmental & Electrical

Operating Temperature / Humidity	-40°C~+60°C(-40°F ~ +140°F) / Less than 95% RH(Non-condensing) * Start up should be done at above -30°C Maximum Temperature based on NEMA-TS 2(2.2.7) : +74°C(+165°F) Humidity control /w GORE vent
Storage Temperature / Humidity	-50°C~+60°C (-58°F~+140°F) / Less than 95% RH(Non-condensing)
Certification	IP66/IP67/IP6K9K, NEMA4X, NEMA-TS 2(2.2.8, 2.2.9), IK10+
Input Voltage	PoE+(IEEE802.3at, Class4), 12VDC
Power Consumption	PoE+: Max 19.5W, typical 15.5W 12VDC: Max 16.5W, typical 13.1W Power redundancy failover

Mechanical

Color / Material	White / Aluminum Hard-coated dome bubble
RAL Code	RAL9003
Product Dimensions / Weight	Ø180x138mm(7.09x5.43"), 2130g(4.70 lb)
Compatible Conduit hole / Gangbox	3/4" (M25) single, double, 4" octagon, 4" square

DORI (EN62676-4 standard)

Detect (25PPM/ 8PPF)	Wide: 74.4m(244.19ft) / Tele: 829.7m(2721.97ft)
Observe (63PPM/ 19PPF)	Wide: 29.8m(97.68ft) / Tele: 331.9m(1088.79ft)
Recognize (125PPM/ 38PPF)	Wide: 14.9m(48.84ft) / Tele: 165.9m(544.39ft)
Identify (250PPM/ 76PPF)	Wide: 7.4m(24.42ft) / Tele: 83.0m(272.20ft)

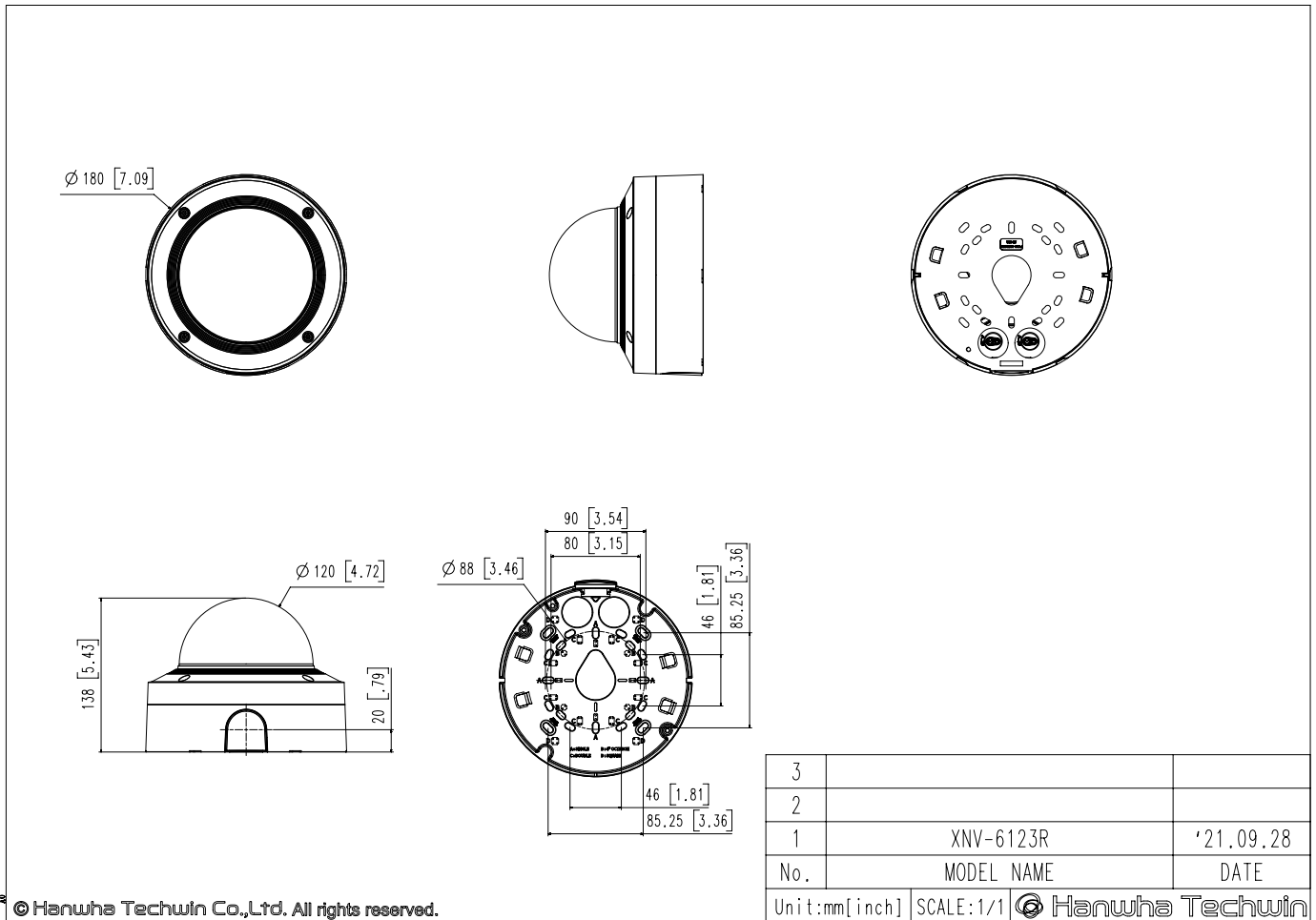
XNV-6123R

2MP AI IR Vandal Dome Camera



CAD

Unit: mm [inch]



© Hanwha Techwin Co.,Ltd. All rights reserved.