

# IR Illuminator 5000 MR

www.boschsecurity.com



**BOSCH**  
Invented for life



- ▶ Integrated adjustable photocell
- ▶ Adjustable IR intensity
- ▶ Interchangeable beam pattern diffusers to match beam to camera
- ▶ Telemetry input and photocell output for external switching
- ▶ Self-cleaning lens coating technology

The infrared illuminator provides covert or semi-covert lighting for medium-range indoor and outdoor surveillance applications. IR illumination dramatically improves night-time imaging, and reduces noise and bit rates.

The set of interchangeable diffuser lenses means that beam patterns can be selected that match your application to provide accurately illuminated scenes. The self-cleaning window reduces maintenance requirements. Specifically designed for energy efficient operation, the illuminator can be powered directly from any 12 to 32 VDC or 24 VAC supply for faster, flexible, cost effective installations.

## System overview

Energy efficient surface-mount high-power LEDs deliver maximum illumination with reduced power consumption. Advanced electronic control circuitry delivers improved thermal management, long life and low cost of ownership. A pressure equalization valve prevents thermal expansion and pressure cycling. Easy access to power and photo cell adjustment facilitates quick and easy installation.

## Certifications and approvals

Standards	Type
CE-EMC	EN 61547 (Lighting-Immunity)
	EN 55015 (Lighting-Emission)
	EN 62493 (Lighting EMF)
	EN 50130-4 (Alarm EMC)
Safety	EN-60598-1 (Luminaires-General)
	EN-60598-2-1 (Luminaires)
LED	EN 62471 Risk group 2 (LED safety)
Environmental	IEC / EN 60529 IP66
	IEC / EN 62262 IK09
	EN50130-5 Class IV (Alarm-environmental)
	EN 50581 RoHS,
USA cULus	UL 2108 Low Voltage Lighting Systems

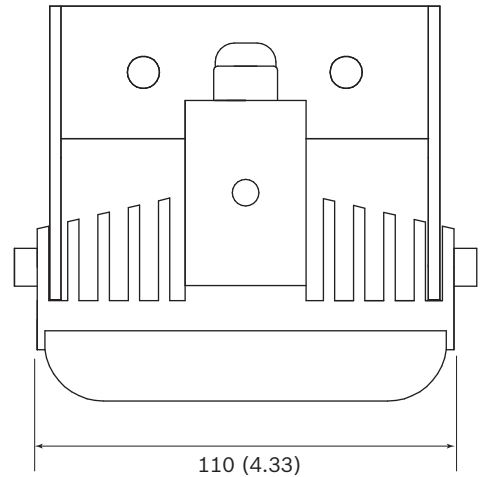
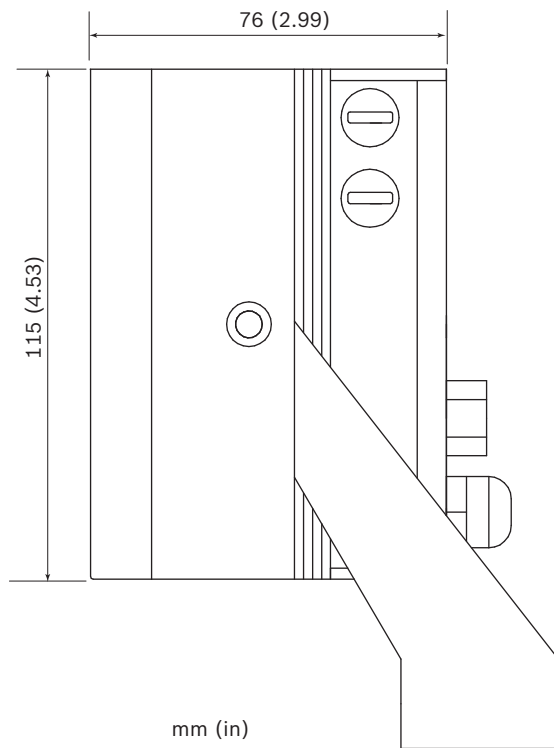
Standards	Type
	UL 8750 Light Emitting Diode (LED) equipment for use in lighting systems
	CSA C22.2 No. 250.0-08 Luminaires
	FCC, Class B
AUS	RCM AS / NZS CISPR 22 Class B

Region	Certification
Europe	CE
USA	UL

**Installation/configuration notes**

**Dimensions**



**Technical specifications**

Power	
Power supply	12 to 32 VDC or 24 VAC ±10%
Power consumption	26 W

Optical	
Wavelength	850 nm or 940 nm
IR control	Adjustable IR intensity (10% to 100%)
Day/night switch	Photocell, sensitivity adjustable (20 lx to 70 lx)
Beam angles	10°, 20°, 30°, 60°, 80°, and 95°

Range 850 nm		
Beam pattern diffuser	Achievable Distance*	HFOV
10°	220 m (722 ft)	38 m (126 ft)
20°	150 m (492 ft)	53 m (174 ft)
30°	110 m (361 ft)	59 m (193 ft)
60°	70 m (230 ft)	81 m (265 ft)
80°	50 m (164 ft)	84 m (275 ft)
95°	35 m (115 ft)	76 m (251 ft)

Range 940 nm		
Beam pattern diffuser	Achievable Distance*	HFOV
10°	135 m (443 ft)	24 m (77 ft)
20°	80 m (262 ft)	28 m (93 ft)
30°	65 m (213 ft)	35 m (114 ft)
60°	40 m (131 ft)	46 m (152 ft)

Range 940 nm		
Beam pattern diffuser	Achievable Distance*	HFOV
80°	30 m (98 ft)	50 m (165 ft)
95°	20 m (66 ft)	44 m (143 ft)

\* Actual illumination distance achieved is dependent on camera and lens characteristics.

Mechanical	
Housing	Robust anodized aluminum extrusion, black
Front window	Polycarbonate high transmittance (vandal-resistant) with self-cleaning technology
Mount	Black powder coated stainless steel U-bracket (adjustable with M6 socket-head wrench)
Cable	3 m (9 ft)
Dimensions (W x H x D)	110 x 115 x 76 mm (4.33 x 4.53 x 2.99 in)
Bracket dimensions (W x H x D)	110 x 125 x 35 mm (4.33 x 4.92 x 1.38 in)
Weight	1.06 kg (2.3 lbs)
Bracket weight	0.2 kg (0.44 lbs)

Environmental	
Operation Temperature Range	-50 °C to +50 °C (-58 °F to +122 °F)
Protection	IP66

### Ordering information

#### IR Illuminator 5000 MR

Medium range IR illuminator  
850 nm  
Order number **IIR-50850-MR**

#### IR Illuminator 5000 MR

Medium range IR illuminator  
940 nm  
Order number **IIR-50940-MR**

#### Accessories

##### IIR-MNT-SLB Single L-bracket

Illuminator single L-bracket, black  
Order number **IIR-MNT-SLB**

##### IIR-MNT-DLB Double L-bracket

Illuminator double L-bracket, black  
Order number **IIR-MNT-DLB**

##### IIR-MNT-TLB Triple L-bracket

Illuminator triple L-bracket, black  
Order number **IIR-MNT-TLB**

#### IIR-MNT-PMB Pole mount bracket

Illuminator pole mount bracket, black  
Order number **IIR-MNT-PMB**

**Represented by:**

**Europe, Middle East, Africa:**  
Bosch Security Systems B.V.  
P.O. Box 80002  
5600 JB Eindhoven, The Netherlands  
Phone: + 31 40 2577 284  
emea.securitysystems@bosch.com  
emea.boschsecurity.com

**Germany:**  
Bosch Sicherheitssysteme GmbH  
Robert-Bosch-Ring 5  
85630 Grasbrunn  
Germany  
www.boschsecurity.com

**North America:**  
Bosch Security Systems, Inc.  
130 Perinton Parkway  
Fairport, New York, 14450, USA  
Phone: +1 800 289 0096  
Fax: +1 585 223 9180  
onlinehelp@us.bosch.com  
www.boschsecurity.us

**Asia-Pacific:**  
Robert Bosch (SEA) Pte Ltd, Security Systems  
11 Bishan Street 21  
Singapore 573943  
Phone: +65 6571 2808  
Fax: +65 6571 2699  
apr.securitysystems@bosch.com  
www.boschsecurity.asia