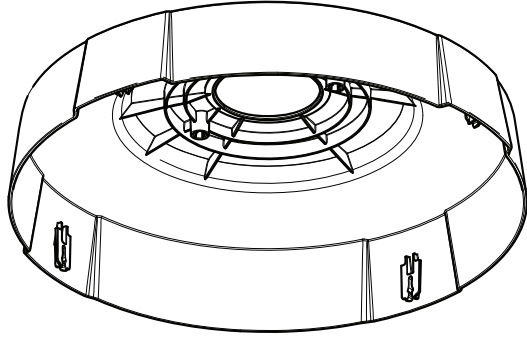


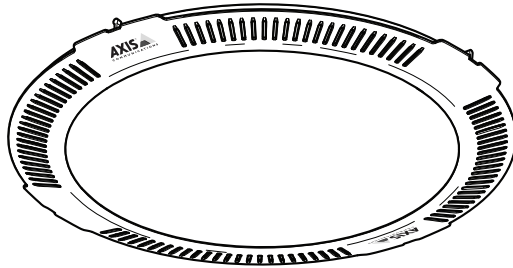
# **AXIS T94M02D Pendant Kit**

## **Installation Guide**

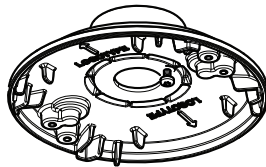




1x



1x

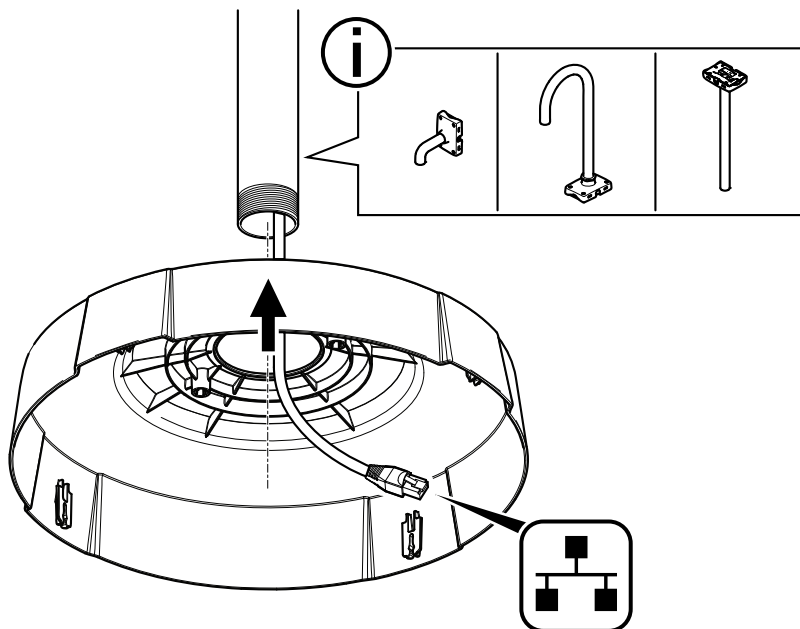


1x

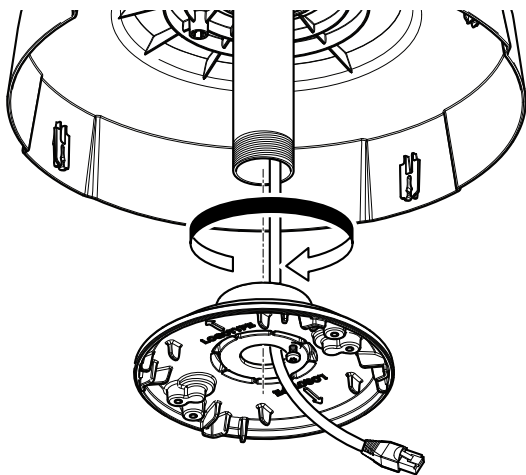


2x

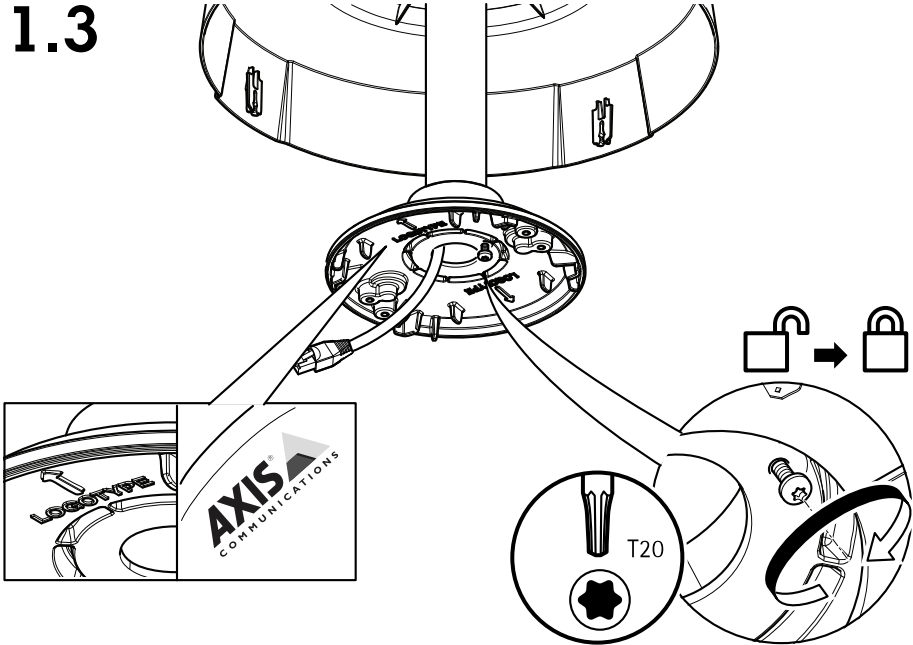
## 1.1



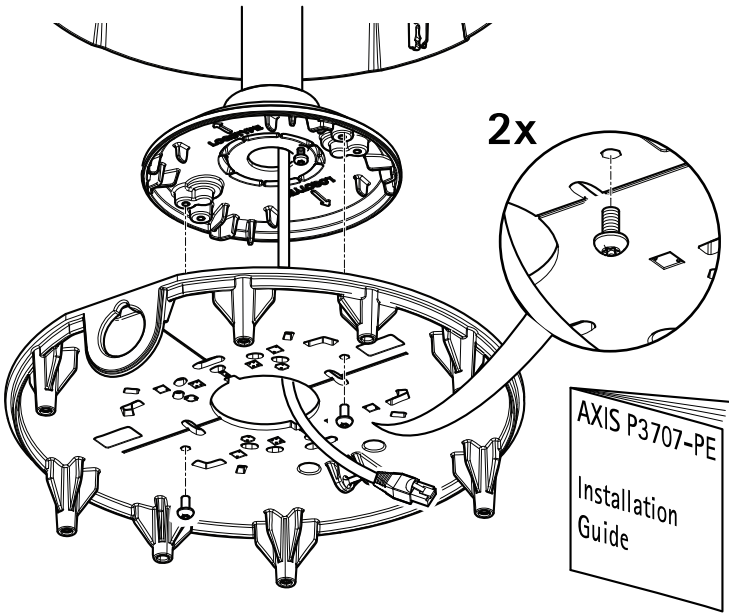
## 1.2



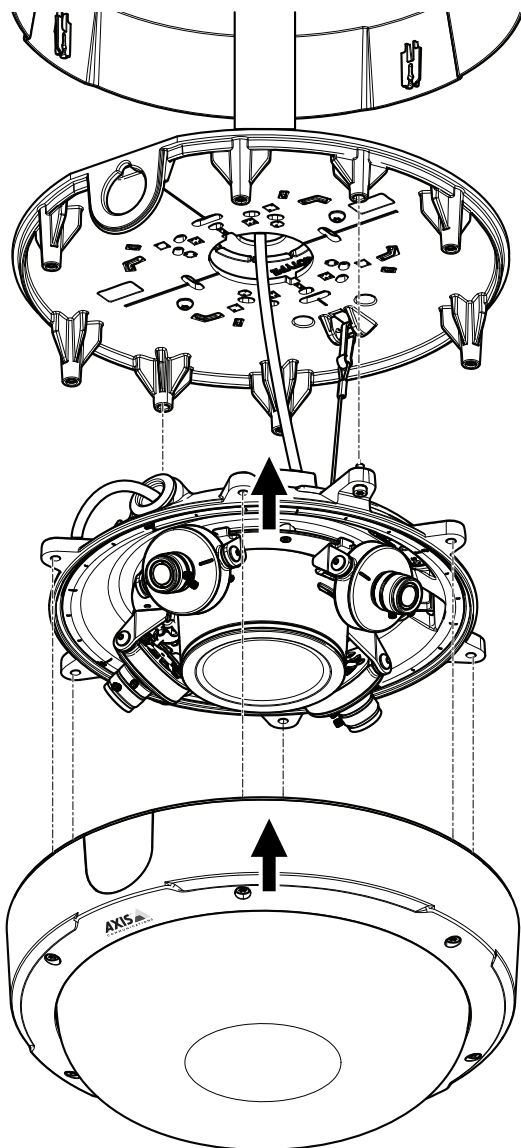
1.3



1.4

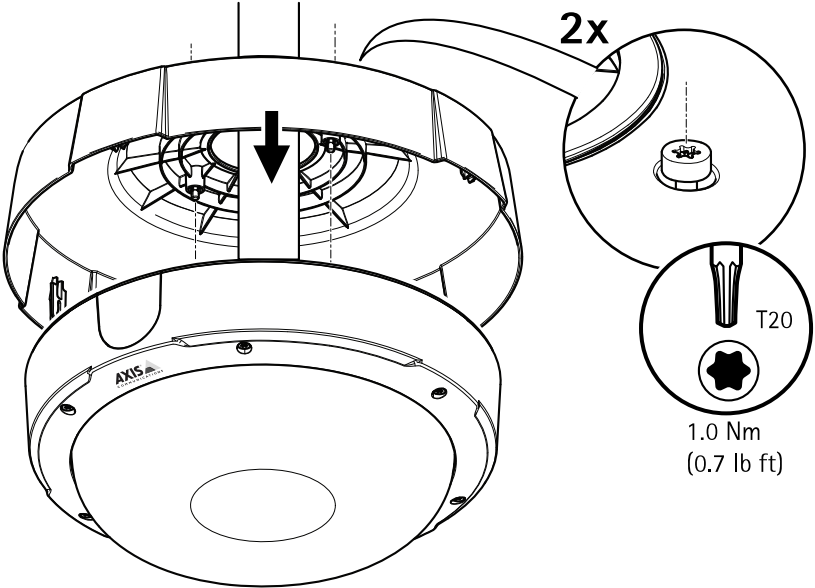


## 1.5



AXIS P3707-PE  
Installation  
Guide

1.6



1.7

